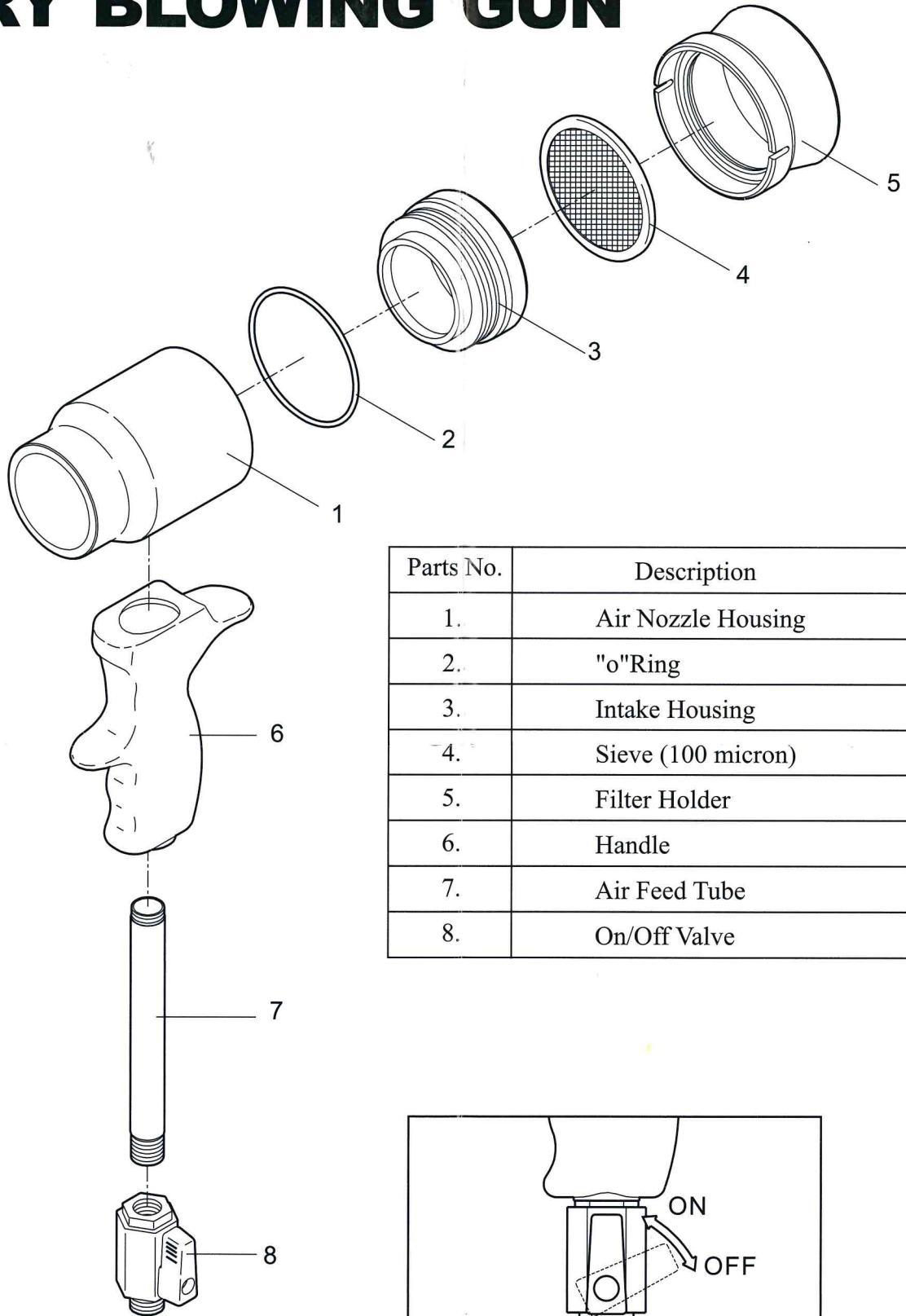


# DRY BLOWING GUN



Parts No.	Description
1.	Air Nozzle Housing
2.	"o"Ring
3.	Intake Housing
4.	Sieve (100 micron)
5.	Filter Holder
6.	Handle
7.	Air Feed Tube
8.	On/Off Valve

